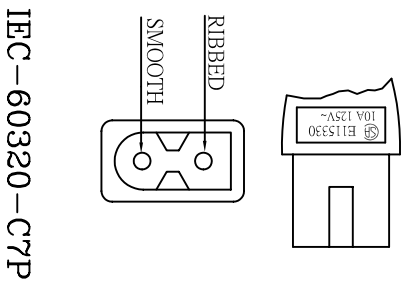
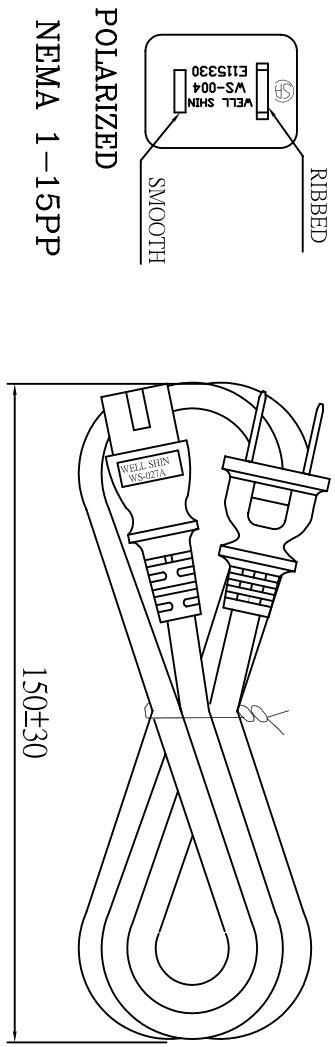
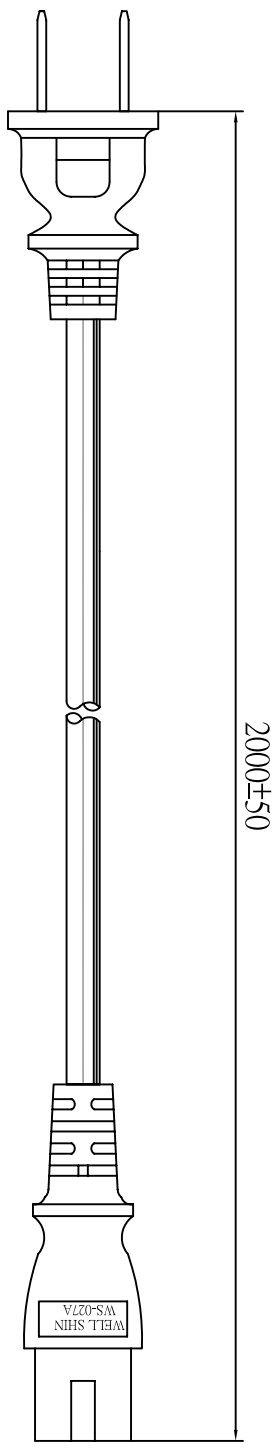


DRAWING NO. 0096-0303 PART NUMBER 1068.079 APPROVAL BY :



IEC-60320-C7P

SPECIFICATION :

- (1) LENGTH : 2000 MM
- (2) COLOR : BLACK WIRE COLOR :
- (3) PLUG : WS-004 (A) 10 (V) 125 APPROVAL : UL,CSA
- (4) CONNECTOR: WS-027A (A) 10 (V) 125 APPROVAL : UL,CSA
- (5) CABLE : SPT-2 18AWG 2C 105°C APPROVAL : UL,CSA

QUAIL ELECTRONICS www.quail.com CUSTOMER N/A CHECK BY :

DRAWING NO		TITLE	004B+027A	DATE	09.30.02
REMARK		UNIT	MM	REV	A
MANAGER			DRAWN BY		

1				
2				
3				
4				
5				
6				
7				
8				
9				
10				
11				
12				
13				
14				
15				
16				
17				

REV.	DESCRIPTION	BY	APP.	DATE
A				
B				
C				