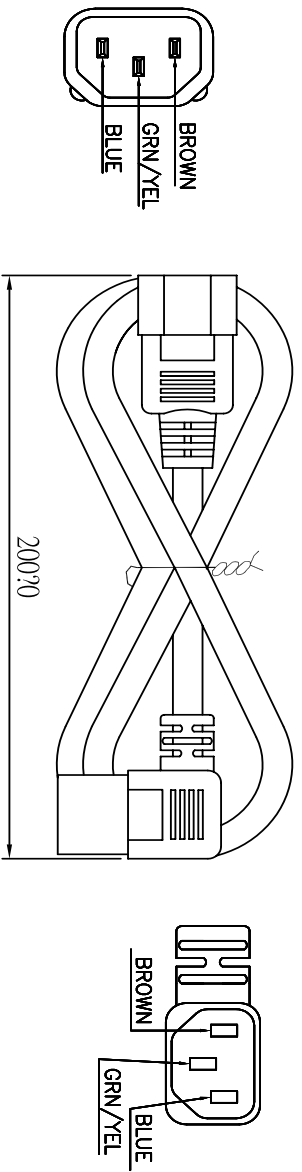
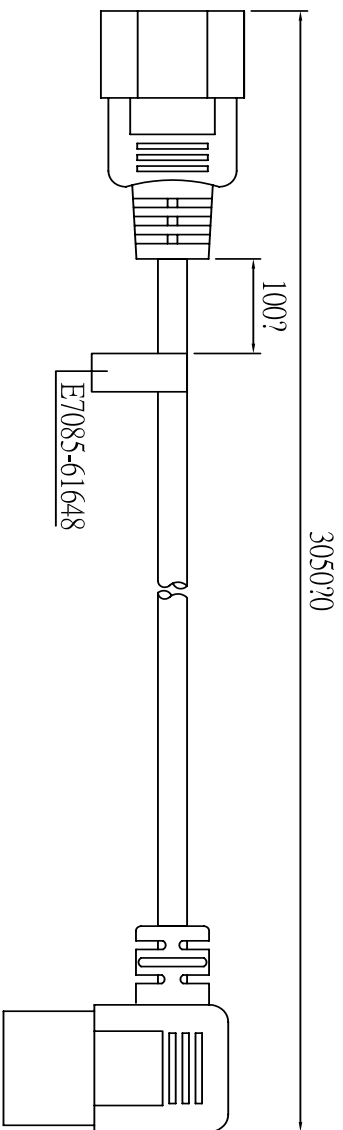


DRAWING NO	0096-0779	PART NUMBER	5244.072	APPROVAL BY :
------------	-----------	-------------	----------	---------------



SPECIFICATION :

- (1) LENGTH : 3050 MM
- (2) COLOR : BLACK WIRE COLOR : (BLUE) (BROWN) (GREEN/YELLOW)
- (3) PLUG : IEC-60320-C14 APPROVAL : UL,CSA,EUROPEAN,CE
- (4) CONNECTOR: IEC-60320-C13 LA (A) 10 (N) 250 APPROVAL : UL,CSA,VDE,CE
- (5) CABLE : SJTW 18AWG 3C 105°C + H05V-V-F 3G 1.00MMSQ APPROVAL : UL,CSA,EUROPEAN

QUAIL ELECTRONICS www.quail.com CUSTOMER N/A

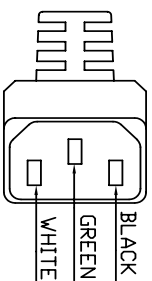
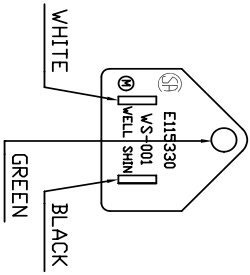
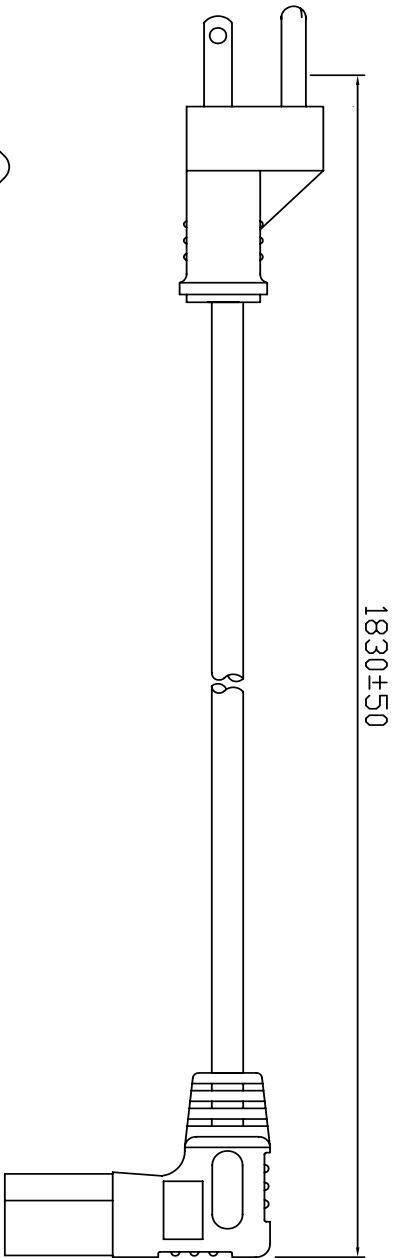
PRODUCT NO	003+002A-L	TITLE	003+002A	DATE	10.07 03'
REMARK		UNIT	MM	REV	B

REV.	DESCRIPTION	BY	APP.	DATE
A	修改線材溫度			06.18 03'
B	修改線材規格			10.07 03'
C				

REV.	DESCRIPTION	BY	APP.	DATE
1				
2				
3				
4				
5				
6				
7				
8				
9				
10				
11				
12				
13				
14				
15				
16				
17				

CHECK BY	ENGINEER
MANAGER	DRAWN BY

TITLE	PART NUMBER	5038.072	APPROVAL BY :
-------	-------------	----------	---------------



1				
2				
3				
4				
5				
6				
7				
8				
9				
10				
11				
12				
13				
14				
15				
16				
17				

SPECIFICATION :

- (1) LENGTH : 1830 MM
- (2) COLOR : BLACK WIRE COLOR : (BLACK) (WHITE) (GREEN)
- (3) PLUG : NEMA 5-15P (A) 10 (V) 125 APPROVAL : UL,CSA
- (4) CONNECTOR: IEC-60320-C13 UA (A) 10 (V) 125 APPROVAL : UL,CSA
- (5) CABLE : (UL)SJT 16AWG 3C 75°C (CSA)16AWG 3C 60°C APPROVAL : UL,CSA

REV.	DESCRIPTION	BY	APP.	DATE
A				
B				
C				

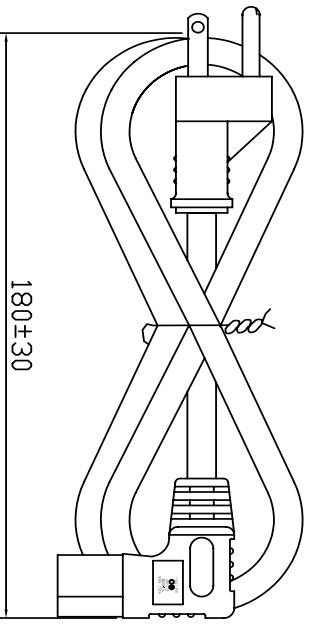
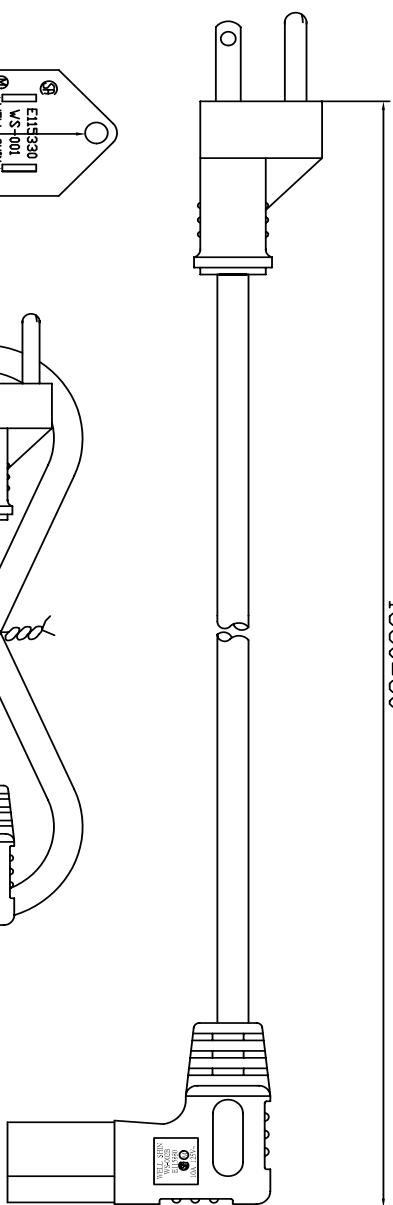
QUAIL ELECTRONICS www.quail.com CUSTOMR N/A CHECK BY :

DRAWING NO	000000	TITLE	001H+002B-1	DATE	01.25.00
REMARK		UNIT	MM	REV	
		MANAGER		DRAWN BY	

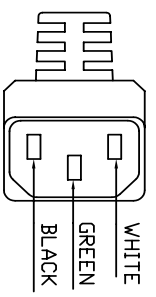
CUSTOMER: N/A P/N: 5011.072 REV. APPROVALED BY:

REVISIONS			
REV.	DESCRIPTION	DATE	APP'VD.
A		04.05.04	
A			
A			

1830±50



WHITE
GREEN
BLACK



NOTES:

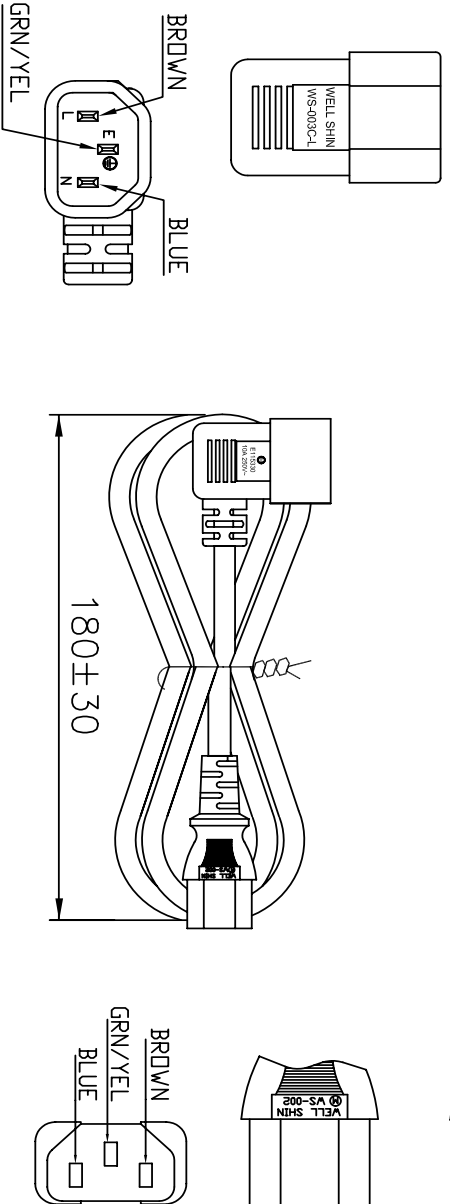
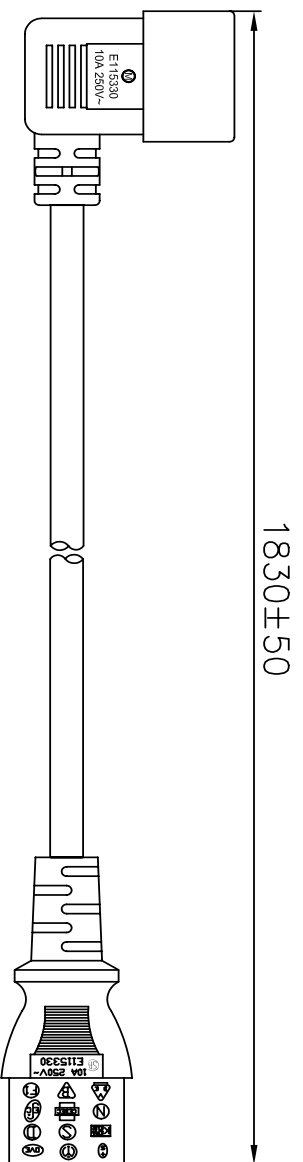
SPECIFICATION :

- (1) COLOR : BLACK
- (2) PLUG : NEMA 5-15P
- (3) CONNECTOR: IEC-60320-C13 DA
- (4) CABLE : SJTW 18AWG*3C 105°C

ENGINEER BY:	SIGNATURE	QUAIL ELECTRONICS, INC. http://www.quail.com	
MANAGER BY:			
CHECKED BY:			
DRAWN BY:			
PRODUCT NO:	UNIT: PPM	DATE: 2004.05.04	REV.
DWG NO: 0096-0129	SHEET: 1 OF 1		A

CUSTOMER: N/A P/N: 3525.072 REV. APPROVALED BY:

REVISIONS			
REV.	DESCRIPTION	DATE	APPVD.
△			
△			
△			

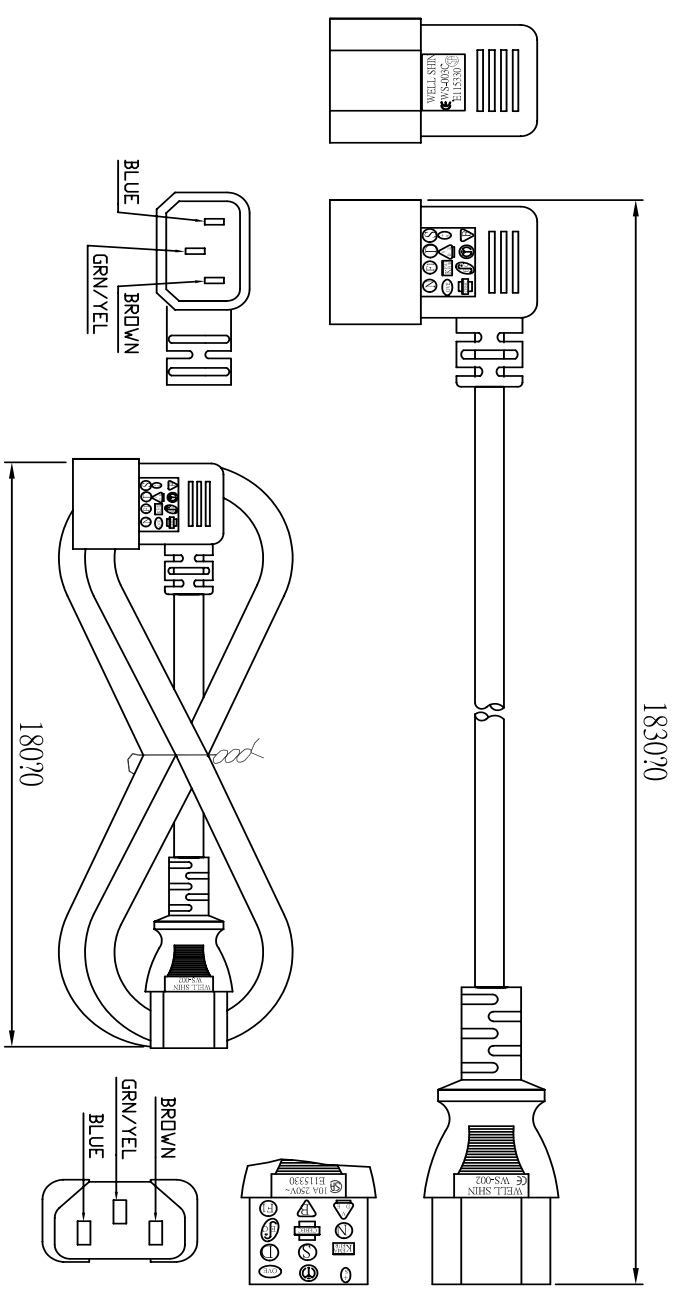


NOTES:

PRODUCT SPECIFICATION:
 (1) COLOR : BLACK
 (2) PLUG : IEC-60320-C15 L 10(A) 250(V)
 (3) APPROVAL: IEC-60320-C13 10(A) 250(V)
 (4) CABLE : SJT 18AWG*3C 105°C+H05VV-F 1.0MMSQ*3G APPROVAL: UL,CSA+EUROPEAN

ENGINEER BY:	SIGNATURE	QUAIL ELECTRONICS, INC. http://www.quail.com	
MANAGER BY:			
CHECKED BY:		PRODUCT NO: WS-003C-L+002	DATE: 2004.03.14
DRAWN BY:	???	UNIT: mm	SHEET: 1 OF 1
		DWG NO: 0096-1584	REV.

TITLE: 0096-1410 PART NUMBER: 3523.072 APPROVAL BY :



SPECIFICATION :

- (1) LENGTH : 1830 MM
- (2) COLOR : BLACK
- (3) PLUG : IEC-60320-C14 LA (A) 10 (V) 250 APPROVAL: UL, CSA, CE, EUROPEAN
- (4) CONNECTOR: IEC-60320-C13 (A) 10 (V) 250 APPROVAL: UL, CSA, CE, EUROPEAN
- (5) CABLE : SJT 18AWG 3C 105°C + H05VV-F 3G 1.00MMSQ APPROVAL: UL, CSA, EUROPEAN

QUAIL ELECTRONICS

www.quail.com

CUSTOMER

N/A

PRODUCT NO	003C-R+002	TITLE	003C+002	UNIT	MM	DATE	07.21.03
REMARK							

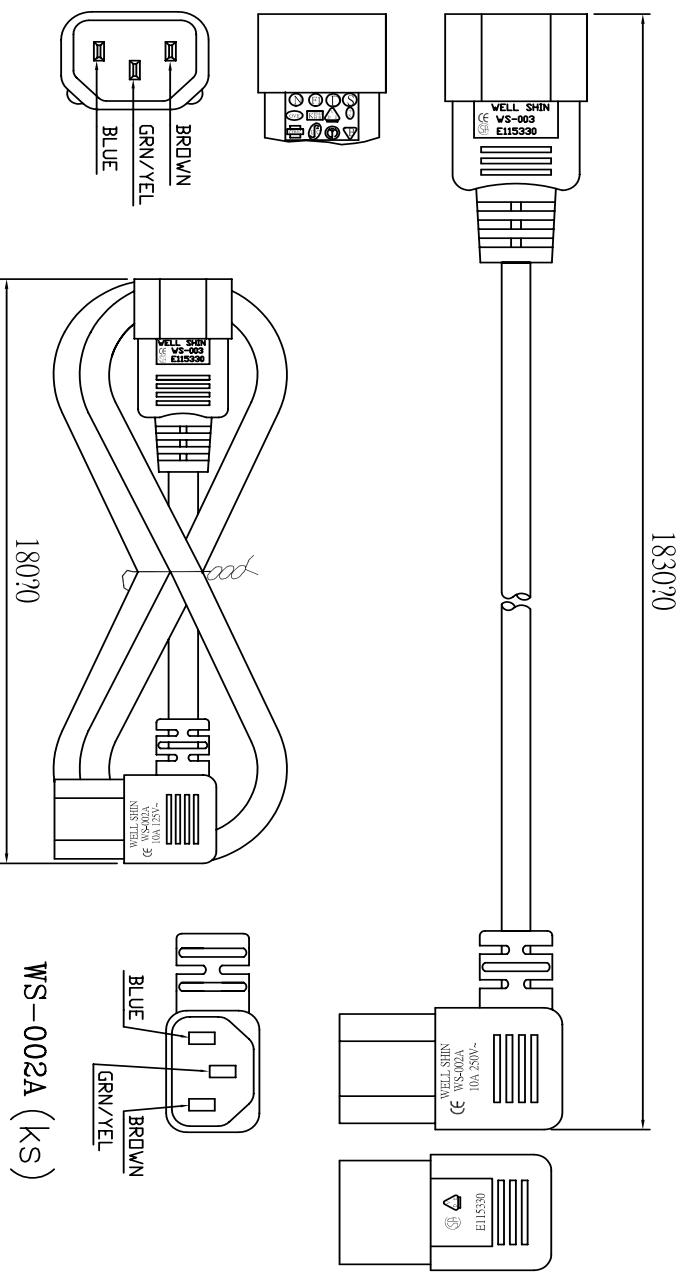
1				
2				
3				
4				
5				
6				
7				
8				
9				
10				
11				
12				
13				
14				
15				
16				
17				

REV.	DESCRIPTION	BY	APP.	DATE
A				
B				
C				

CHECK BY: ENGINEER

MANAGER: DRAWN BY:

TITLE: 0096-1416 PART NUMBER: 3514.072 APPROVAL BY :



SPECIFICATION :

- (1) LENGTH : 1830 MM
- (2) COLOR : BLACK WIRE COLOR : (BLUE) (BROWN) (GREEN/YELLOW)
- (3) PLUG : IEC-60320-C14 (A) 10 (V) 250 APPROVAL : UL,CSA,CE,EUROPEAN
- (4) CONNECTOR: IEC-60320-C13 R (A) 10 (V) 250 APPROVAL : UL,CSA,CE,VDE
- (5) CABLE : SJT 18AWG 3C 105°C APPROVAL : UL,CSA,EUROPEAN
+ H05VV-F 3G 1.00MMSQ

1	
2	
3	
4	
5	
6	
7	
8	
9	
10	
11	
12	
13	
14	
15	
16	

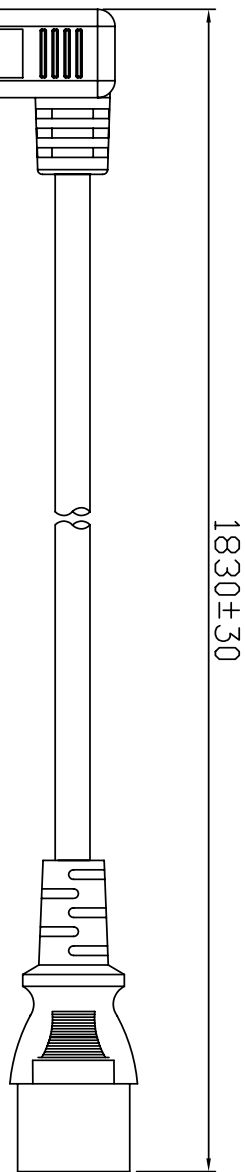
QUAIL ELECTRONICS www.quail.com CUSTOMER N/A

PRODUCT NO	003+002A-R	TITLE	003+002A-R	DATE	08.08.03
REMARK		UNIT	MM	NO	
		CHECK BY	ENGINEER	MANAGER	DRAWN BY

REV.	DESCRIPTION	BY	APP.	DATE
A				
B				
C				
D				

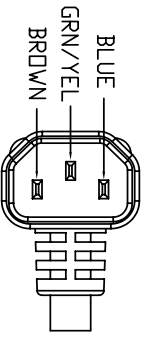
CUSTOMER: N/A P/N: 3526.072 REV. APPROVALED BY:

REVISIONS			
REV.	DESCRIPTION	DATE	APPVD.
△			
△			
△			

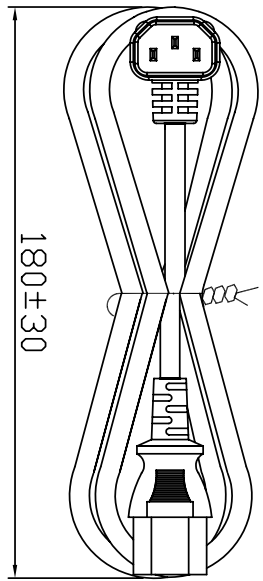
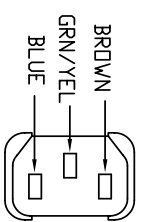
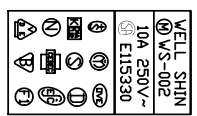


NOTES:

MARKING:



MARKING:



PRODUCT SPECIFICATION :

- (1) COLOR : BLACK
- (2) PLUG : IEC-60320-C14 DA 10 (A) 250 (V) APPROVAL : VDE
- (3) APPROVAL: IEC-60320-C13 10 (A) 250 (V) APPROVAL : UL,CSA+EUROPEAN
- (4) CABLE : SJTW 18AWG*3C 105°C+H05VV-F 10MMSØ*3G APPROVAL : UL,CSA+EUROPEAN

ENGINEER BY:	SIGNATURE	QUAIL ELECTRONICS, INC. http://www.quail.com	
MANAGER BY:			
CHECKED BY:			
DRAWN BY:	???		
		PRODUCT NO.:	DATE: 2004.09.24
		UNIT: mm	SHEET: 1 OF 1
		DWG NO: 0096-1744	REV.

ANGLED PLUGS & RECEPTACLES



C13/C14

QUAIL ELECTRONICS, INC. IS RELEASING NEW ANGLED PLUGS & RECEPTACLES. QUAIL ELECTRONICS IS CURRENTLY STOCKING MOST OF THESE CORDSETS IN ITS NORTHERN CALIFORNIA WAREHOUSE. CONTACT US FOR MORE INFORMATION.

MOST OF THESE CORDSETS ARE AVAILABLE NOW FOR PURCHASE. MOST COMMONLY STOCKED SERIES NUMBERS INCLUDE; 3526, 3523, 3525, 3514, 5011, 5038 AND 5244. ANY LENGTH CAN BE PROVIDED, MOST COMMONLY STOCKED IS 6FT. AVAILABLE STARTING AT \$4.75 PER CORD. DISCOUNTED PRICING IS AVAILABLE FOR QUANTITY PURCHASES.

THE SALES AND CUSTOMER SERVICE DEPARTMENT CAN BE REACHED AT (800)669-8090
OR E-MAIL SALES@QUAIL.COM.

QUAIL ELECTRONICS, INC.
2171 RESEARCH DRIVE, LIVERMORE, CA 94550 (800)669-8090 FAX (925)373-7099
HTTP://WWW.QUAIL.COM E-MAIL: SALES@QUAIL.COM

FOR IMMEDIATE RELEASE

ANGLED PLUGS & RECEPTACLES

SEPTEMBER, 2004
LIVERMORE, CA

CONTACT: JASON VANDUSEN
(925)373-6700
FAX (925)373-7099
E-MAIL: JASON@QUAIL.COM



QUAIL ELECTRONICS, INC. IS RELEASING. NEW ANGLED PLUGS AND RECEPTACLES. QUAIL ELECTRONICS IS CURRENTLY STOCKING MOST OF THESE IN ITS NORTHERN CALIFORNIA WAREHOUSE. CONTACT US FOR MORE INFORMATION.

“AS SPACE SAVING AND CABLE MANAGEMENT BECOME MORE CRITICAL ISSUES WITH ORIGINAL EQUIPMENT MANUFACTURERS THEY HAVE ASKED QUAIL ELECTRONICS TO PROVIDE ADDITIONAL FLEXIBILITY IN THE AREA OF ANGLED IEC60320-C13 AND IEC60320-C14 MOLDED CONNECTORS. TO THAT END WE HAVE COMPLETED LENGTHY PROCESS OF TOOLING AND ACHIEVING AGENCY APPROVAL FOR EVERY ANGLE OF BOTH CONNECTOR TYPES INCLUDING UP ANGLE, DOWN ANGLE, RIGHT ANGLE, AND LEFT ANGLE. MANY VARIETIES ARE KEPT IN STOCK, BUT GIVEN A MODEST MINIMUM ORDER QUANTITY ANY CONCEIVABLE COMBINATION CAN BE PROVIDED ON A MOLDED POWER CORD.”

PART NUMBERS

3526.072, 3523.072,
3525.072, 3514.072,
5011.072, 5038.072,
5244.072

GREG RUPPERT – GENERAL MANAGER – QUAIL ELECTRONICS, INC.

MOST OF THESE CORDSETS ARE AVAILABLE NOW FOR PURCHASE. MOST COMMONLY STOCKED SERIES NUMBERS INCLUDE; 3526, 3523, 3525, 3514, 5011, 5038 AND 5244. ANY LENGTH CAN BE PROVIDED, MOST COMMONLY STOCKED IS 6FT. AVAILABLE STARTING AT \$4.75 PER CORD. DISCOUNTED PRICING IS AVAILABLE FOR QUANTITY PURCHASES.

QUAIL ELECTRONICS, INC.

2171 RESEARCH DRIVE, LIVERMORE, CA 94550
(925)373-6700 FAX (925)373-7099